

# PULSAR II



## Microwave Detector

### DESCRIPTION

The Pulsar-II is an intelligent microprocessor-controlled motion detector that works on microwave technology. Within the defined detection zone, movements of at least 4in (10cm) /second (persons and/or objects such as vehicles, bicycles, trolleys, etc) are detected. Persons and/or objects that are not moving are also not detected.

It also has a unique ability to differentiate between pedestrians and vehicles. Developed specifically for the traffic industry, the Pulsar-II can detect the direction of motion, allowing the detector to "ignore" movement in certain directions if required. It also comes with span wire, mast arm, or side of pole mounting brackets.

A remote control is available to allow for easy setup or to make changes from the ground after the unit has been installed.

### ADVANTAGES FOR THE CUSTOMER

♦ Adjustable Detection Pattern	♦ Slow Motion Detection (SMD)	♦ Increased Field Sharpness
♦ Detects both Vehicles & Pedestrians	♦ Remote Control for Easy Setup/ adjustments	♦ Lower Cost than Other types of Detection
♦ Direction Recognition	♦ Resistance to Environmental Influences	

### TECHNICAL DATA

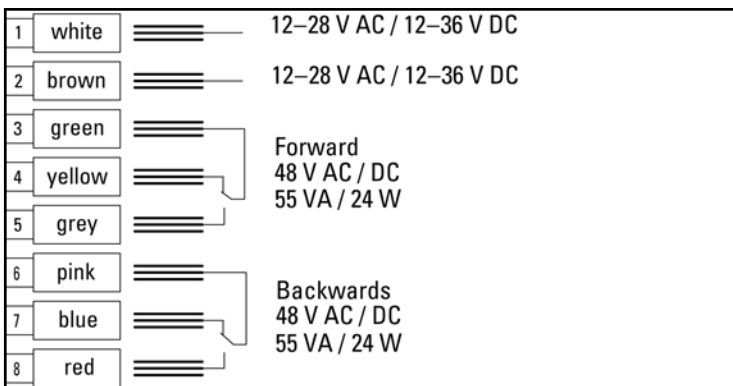
♦ Mounting Height	8 to 25 ft	
♦ Material	Aluminum Housing/ Polycarbonate Cover	Color ( Black )
♦ Dimensions	5.28" x 3.23" x 2.95"	
♦ Weight	1.58 lbs (Incl. Cable)	
♦ Operating Temp	-20° to 140° F	
♦ Max. Range	100 ft	
♦ Operating Voltage	12-28VAC/12-36V DC	
♦ Operating Current	Max. 110mA	At 24V AC and 68° F
♦ Outputs	2-Potential-Free Changeover Contacts	Max switching voltage 48V AC/DC
	For Separation of:	Max switching current .5A AC/1.0ADC
	People/ Vehicles	Max switching capacity 55VA/24W Ohmic
	Direction Recognition	Load

## Remote Control Function



Function	Description	Key Combination	Levels
Access Code	Read Code Status Set Code Enter Code Delete Code	C+9 C+9+XXXX+C C+9+XXXX+C C+9+9999+C	1=CODE SAVED 2=NO CODE SET 1111-9998 ENTER 1111-9998
Mounting Height	Read Mounting Height Set Mounting Height	F+4 F+4+2...7	2=8.2'-9.5' 3=9.8'-12.8' 4=13.1'-16.1' etc.
Field Dimensions (Sensitivity)	Read Sensitivity Select Sensitivity	D D+1...9	1,2,3=SMALL 4,5,6=MEDIUM 7,8,9=LARGE
Relay Hold Interval (Additional Hold Interval)	Read Hold Interval Set Hold Interval	F+1 F+1+1...4	1=0.5s 2=1.0s 3=2.0s 4=5.0s
Direction Recognition (Only When Separation Between People/Vehicle Is Active)	Read Direction Select Direction	E E+1...2	1=FORWARDS 2=BACKWARDS
Output Signal Active/Passive	Read Active/Passive Mode Set Active/Passive Mode	F+2 F+2+1...2	1=ACTIVE 2=PASSIVE
Separation Between People/Vehicle	Read P/V Separation Switch P/V Separation On/Off	F+8 F+8+1...2	1=ON 2=OFF
Cross-traffic Optimization	Read CTO Level Set CTO Level	F+5 F+5+1...9	1=OFF 2,3=LOW 4,5,6=MEDIUM 7,8,9=HIGH
Wide Field Only When Clip Is Used	Read Wide Field Function Select Wide Field Function	B B+1...2	1=ON 2=OFF
Slow Motion Detection (Detecting Very Slow Objects)	Read SMD Level Set SMD Level	F+3 F+3+1...9	1=OFF (NO SMD) 2,3=SHORT DECREASING 4,5=LONG DECREASING 6,7=SHORT CONSTANT 8,9=LONG CONSTANT
SMD Field Dimensions	Read SMD Field Dimensions Set SMD Field Dimensions	F+7 F+7+1...9	1,2,3=SMALL 4,5,6=MEDIUM 7,8,9=LARGE
Reset	Initialize Unit	A+9	

### Electrical Connections (People/Vehicle Separation is OFF)



### Electrical Connections (People/Vehicle Separation is ON)

