



BCH-AZ10X30-115x

10X Zoom Camera Housing

Features

- Compact Outdoor Housing
- Integrated Camera with Motorized 10X Optical Zoom Lens
- 115VAC Operation
- Integrated 10W Heater
- RS485 Connections for Setup
- Sunshield Included
- Optional 16-Pin MS Connector Cable Entry and Pressurization Version



Models:

Model Number	BCH-AZ10X30-115	BCH-AZ10X30-115C	BCH-AZ10X30-115P
Description	Outdoor Housing, Integrated Camera, 10X Motorized Zoom Lens, Heater, Sunshield 115VAC		

The BCH-AZ10X30-115 is a compact outdoor camera housing featuring an integrated high resolution analog camera and a motorized 10X optical zoom lens with autofocus.

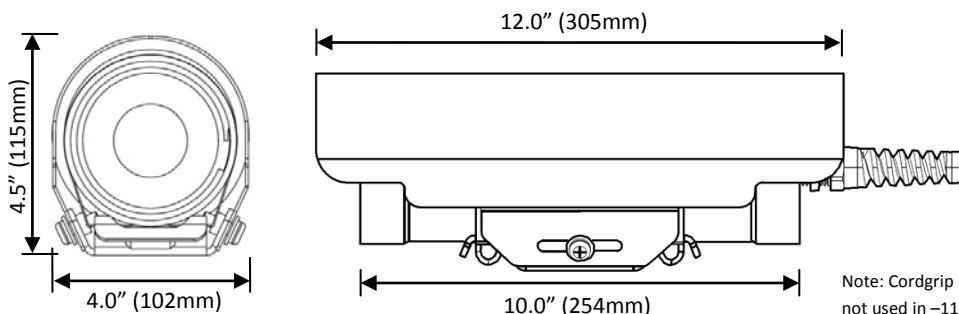
The camera OSD and zoom lens are controlled over RS485 for setup and remote control. Camera features include True Day/Night, 3D Noise Reduction, Wide Dynamic Range, Adaptive Tone Response, and Sense Up.

The unit includes an onboard heater for cold weather. A sunshield is included for use in hot climates. The rugged all-aluminum housing with stainless steel straps and fasteners is ideal for long term deployments in harsh environments.

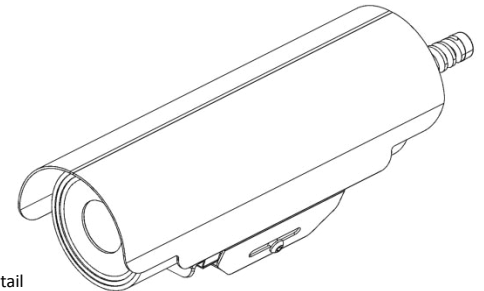
The standard model includes a cable pigtail for power, video, and RS485 connections. An alternate version with a 16-pin Military Style connector is also available. A third version is available which allows housing to be pressurized up to 10PSI and includes an over-pressurization relief valve.

Specifications:

Imager	1/3" Sony Ex-View HAD Double Scan CCD		
Resolution	700TVL		
Effective Pixels	976 (H) x 494 (V)		
Optical Zoom	10X (5-50mm)		
Digital Zoom	14X (Up to 140X Total Zoom)		
Focus Adjustment	Auto Focus		
Minimum Illumination	0.01Lux (Sense-Up Off), 0.00005Lux (Sense-Up x512)		
Video Output	1.0Vp-p Composite, 75Ω		
S/N Ratio	>54dB (AGC Off)		
Day/Night	True Day/Night with Mechanical IR Cut Filter		
OSD Features	2D+3DNR, Sense-Up (2x ~ 1024x), WDR (Max 150dB), Digital Image Stabilization, True Day/Night, AGC, ATR-Ex		
RS485	Pelco-D, 9600 bps		
Operating Temp	-49° ~ 131°F (45 ~ 55°C)		
Housing Construction	Powder Coated Aluminum with Stainless Steel Fasteners		
Dimensions (L x W x H)	12.0" x 4.0" x 4.5" (305 x 102 x 115mm)		
Integrated Heater	10W Heater Output		
Input Voltage	115VAC ± 10%		
Surge Suppressor	Z151 20UL Varistor, 10kA, Max 150VAC/200VDC, 120J, Ø20mm		
Weight	5.0 lbs (2.3 kg)	5.2 lbs (2.4 kg)	
Cable Entry	Pigtail Provided	16-Pin MS Connector	
Pressurization	N/A	N/A	Yes
Outdoor Rating	IP67	IP67	IP68
Designed To Meet:			



Note: Cordgrip pigtail not used in -115C or -115P versions



All specifications are subject to change without notice.

© Control Technologies. All Rights Reserved. 02/14