



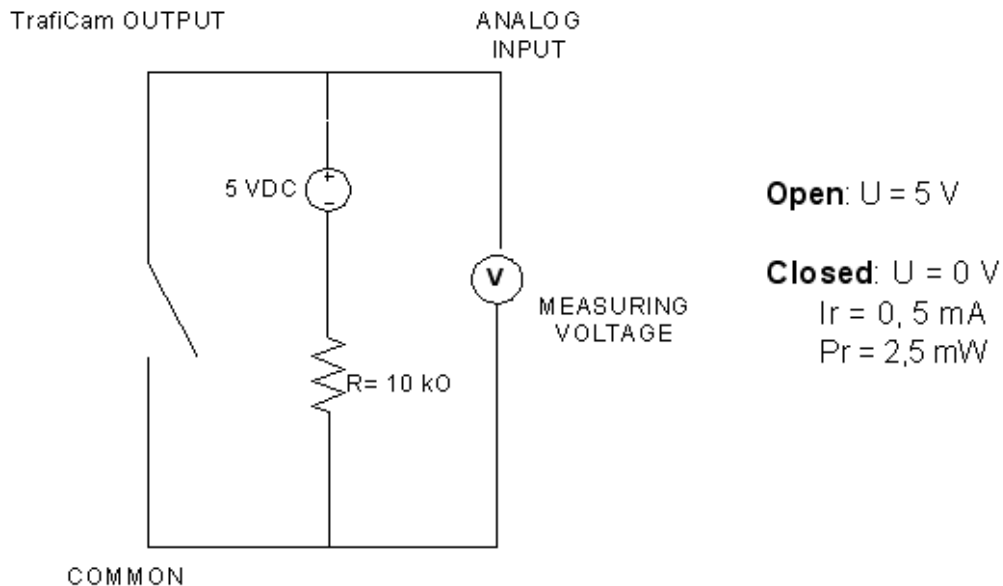
TECHNICAL SPECIFICATIONS TI X-STREAM

Name Interface	TrafiCam Interface x-stream
Abbreviation (short name)	TI x-stream
Product Reference Number	10-6045
Basic Functionality	<ul style="list-style-type: none"> - Connecting zone output(s) from TrafiCam(s) to controller - Providing power to TrafiCam(s) - Connecting (portable) PC to TrafiCam(s) for system configuration & viewing
# Cameras to Connect	1, 2, 3 or 4 TrafiCam x-stream BPL units Note: max. 4 extra TrafiCam x-stream BPL units can be connected via TI xp.*
Power IN	24–48VAC/DC via clamps (back), power LED (front)
Power OUT	24–48VDC to up to 4 TrafiCams via clamps
Port PC – Interface	2 RJ45 Ethernet connectors (each 10/100Mbit/s auto switching)
# Detection Outputs	<ul style="list-style-type: none"> - 16 optical coupled dry contacts via clamps - Pmax = 300mW, Imax = 50mA, Umax = 48VDC - “close on event” or “open on event” (setting in TCT) - 16 output LEDs (green) - “detection output 1-16” and “common detection output” ** Note: max. 32 extra detection outputs can be added via max. 2 TI xp. units *
# Error Outputs	<ul style="list-style-type: none"> - 4 optical isolated switch components via clamps - Pmax = 300mW, Imax = 50mA, Umax = 48VDC - “open on event” (hardware output) - 4 output LEDs (red) - “error output” and “common error output” ** Note: max. 4 extra error outputs can be added via TI xp.*
Function of Error Outputs	<ul style="list-style-type: none"> - All error outputs active = Error in TI x-stream or power supply TI x-stream down - One error output active = Error in corresponding TrafiCam x-stream
Interface Firmware	yes
Communications TrafiCam x-stream BPL – Interface	BPL, Traficon protocol (XML)
Cable TrafiCam x-stream BPL– Interface	2 wires for BPL via clamps: <ul style="list-style-type: none"> - Power: + - - Communications: broadband over power line (BPL)
Current Consumption	≤ 160mA @ 24VDC, ≤ 80mA @ 48VDC
Power Consumption	≤ 4 W (excl. connected TrafiCam x-stream unit(s))

Mass	≈ 750 g
Physical Dimensions (H x W x D)	≈ 12,84 cm x 5,05 cm x 18,00 cm
Interface Mounting	BOX, EURO-rack mountable, DIN-rail clickable
Regulatory Issues	<ul style="list-style-type: none"> - EMC: Electromagnetic Compatibility - 2004/108/EG - FCC: FCC Part 15 class A - Shock & Vibration NEMA II specs

* TI xp. = TrafiCam Interface Expansion board

**



Traficam output wiring diagram

Data subject to alternation without notice or obligation

YOUR CONTACT

Issue: v2 08/2010

