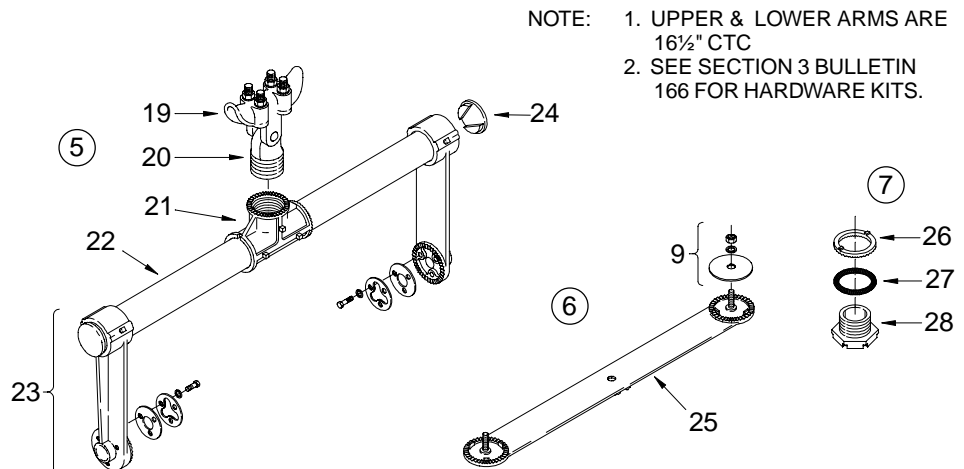
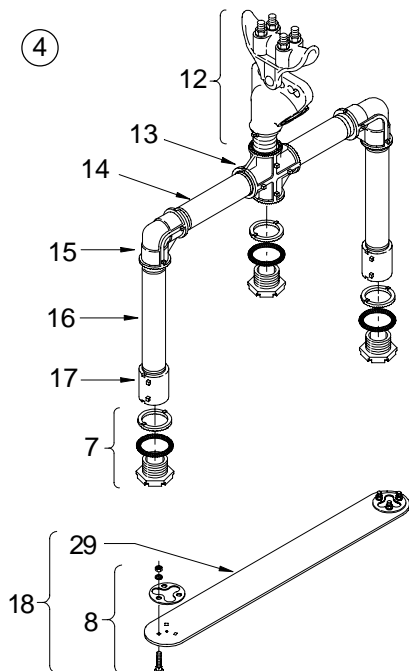
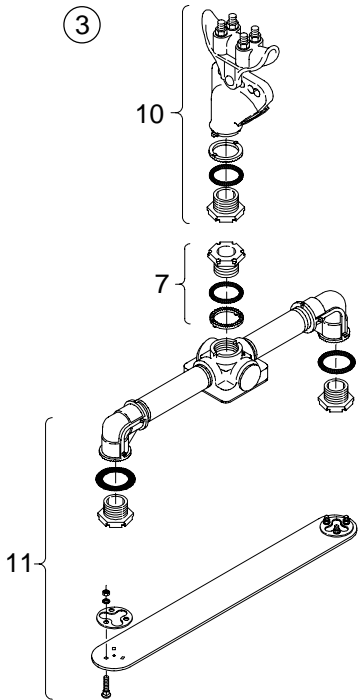
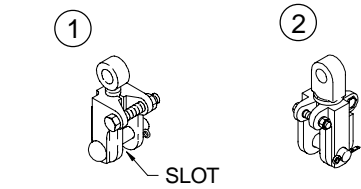


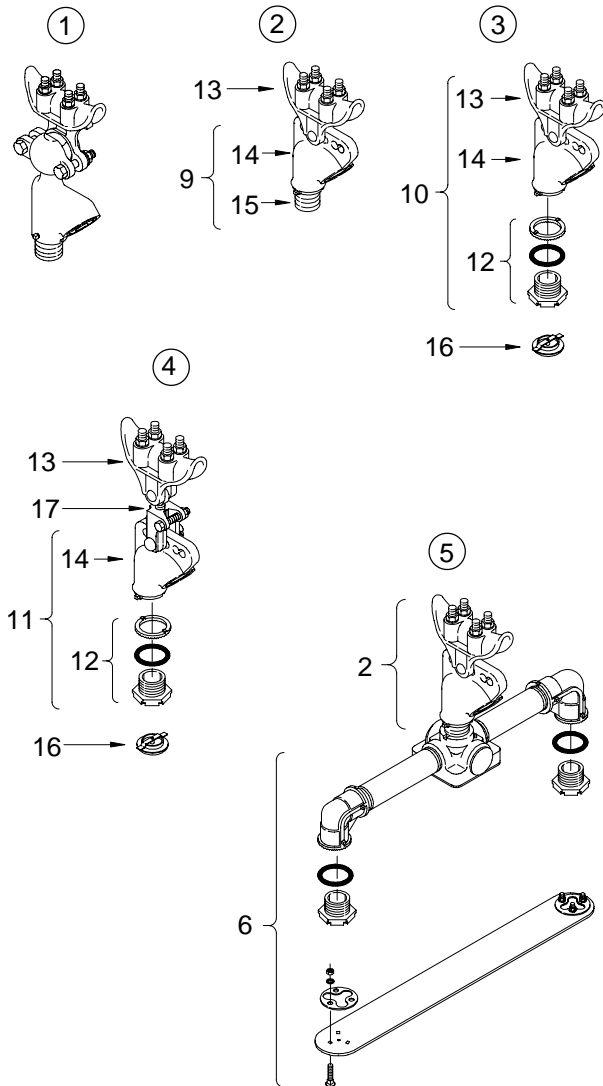
# ALUMINUM SPAN WIRE SIGNAL MOUNTINGS, 1½"

ITEM	DESCRIPTION	PART NO.
①	BALANCE ADJUSTER, Galv. Iron	
	3/4" Eyebolt & 3/4" Slot .....	SE-3108
	3/4" Eyebolt & 1/2" Slot .....	SE-3109
	1/2" Eyebolt & 3/4" Slot .....	SE-3110
	1/2" Eyebolt & 1/2" Slot .....	SE-3111
②	P.A.L. (Pivot & Lock) Balance Adjuster, Iron:	
	1/2" Eyebolt & 1/2" Slot .....	SE-3219
	3/4" Eyebolt & 3/4" Slot .....	SE-3220
	1/2" Eyebolt & 3/4" Slot .....	SE-3221
	3/4" Eyebolt & 1/2" Slot .....	SE-3222
③	5 SEC. CLUSTER SPAN WIRE ASSY. ....	SE-3120
④	5 SEC. CLUSTER SPAN WIRE ASSY. ....	SE-3137
⑤	HORIZONTAL SPAN WIRE ASSY. ....	AB-0127
⑥	2-WAY LOWER ARM ASSY., Single Stud .....	SE-5102
⑦	UPPER ASSEMBLY KIT .....	SE-3042
8	LOWER ASSEMBLY KIT, 1/4"-20 .....	SE-3021
9	SINGLE STUD HARDWARE KIT, 5/16"-18 .....	SE-5064
10	SPAN WIRE HANGER ASSY. ....	SE-3066
11	2-WAY UPPER & LOWER ARM ASSY. ....	SE-3038
12	SPAN WIRE HANGER ASSY. ....	SE-3019
13	SERRATED CROSS, 1½" x 6" .....	SE-4038
14	NIPPLE, 1½" x 6" .....	SE-0436-06
15	SERRATED ELL .....	SE-0457
16	NIPPLE, 1½" x 18" .....	SE-0436-18
17	NOTCHED COUPLING .....	SE-0346
18	2-WAY LOWER ARM ASSY. ....	SE-3022
19	SPAN WIRE CLAMP, IRON, ½" Width .....	SE-0338
20	SPAN WIRE ADAPTER, ½" Width .....	SE-0371
21	SLIP TEE, HORIZONTAL .....	SE-0474
22	ALUM. TUBE, 1½" x 46" .....	SE-0484-46
23	ARM KIT, STD. 9", Tapped for CGB .....	AB-4001
24	TUBE CAP .....	AB-0260
25	2-WAY LOWER ARM, Single Stud .....	SE-4010
26	SERRATED LOCKRING .....	SE-0360
27	NEOPRENE GASKET .....	SE-0354
28	CAST NIPPLE .....	SE-0443
29	2-WAY LOWER ARM, Steel .....	SE-0328-16.5



NOTE: 1. UPPER & LOWER ARMS ARE 16½" CTC  
2. SEE SECTION 3 BULLETIN 166 FOR HARDWARE KITS.

# ALUMINUM SPAN WIRE SIGNAL MOUNTINGS, 1½"



ITEM	DESCRIPTION	PART NO.
①	SPAN WIRE HANGER, Ball & Socket .....	SE-3125
②	SPAN WIRE HANGER ASSY. ....	SE-3019
③	SPAN WIRE HANGER ASSY. ....	SE-3043
④	SPAN WIRE ASSY., w/ Balance Adjuster .....	SE-3033
⑤	2-WAY UPPER & LOWER SPAN WIRE ASSY. ....	SE-3059
⑥	2-WAY UPPER & LOWER ARM ASSY. ....	SE-3038
⑦	3-WAY UPPER & LOWER ARM ASSY. ....	SE-3039
⑧	4-WAY UPPER & LOWER ARM ASSY. ....	SE-3040
9	WIRE ENTRANCE ASSY. ....	SE-3034
10	SPAN WIRE HANGER ASSY. ....	SE-3066
11	WIRE ENTRANCE ASSEMBLY .....	SE-3049
12	UPPER ASSEMBLY KIT .....	SE-3042
13	SPAN WIRE CLAMP, ¾" Width .....	SE-0321
14	WIRE OUTLET BODY, Alum. w/ Grommet .....	SE-4117
15	ALLTHREAD NIPPLE, Alum., 1½" x 2-1/8" .....	SE-0309-2.13
16	SIGNAL CLOSURE KIT .....	SE-3054
17	BALANCE ADJUSTER, Iron .....	SE-3108
18	2-WAY UPPER ARM ASSY. ....	SE-3020
19	3-WAY UPPER ARM ASSY. ....	SE-3023
20	4-WAY UPPER ARM ASSY. ....	SE-3025
21	2-WAY LOWER ARM ASSY. ....	SE-3022
22	3-WAY LOWER ARM ASSY. ....	SE-3024
23	4-WAY LOWER ARM ASSY. ....	SE-3026
24	FITTING CAP, ½" .....	SE-0304
25	4-WAY CENTER SUPPORT .....	SE-0305
26	3-WAY CENTER SUPPORT .....	SE-0310
27	NIPPLE, 1½" x 6" .....	SE-0436-06
28	SERRATED ELL .....	SE-0457
29	NEOPRENE GASKET .....	SE-0354
30	CAST NIPPLE .....	SE-0443
31	2-WAY LOWER ARM, Steel .....	SE-0328-16.5
32	3-WAY LOWER ARM, Steel .....	SE-0319-8.25
33	4-WAY LOWER ARM, Steel .....	SE-0329-16.5
34	LOWER ASSEMBLY KIT, ¼"-20 .....	SE-3021

NOTE: 1. UPPER & LOWER ARMS ARE 16½" CTC  
2. SEE SECTION 3 BULLETIN 166 FOR HARDWARE KITS

