



The Astro-Brac in its various configurations is a truly universal system for mounting signals.

The Astro-Brac is designed to facilitate the mounting of any size or combination of signals to any size of mast arm or pole. This complete adjustability is not possible with other types of rigid mountings.

ITEM	DESCRIPTION	PART NO.
------	-------------	----------

ASTRO-BRAC ASSY, Stellar Series:

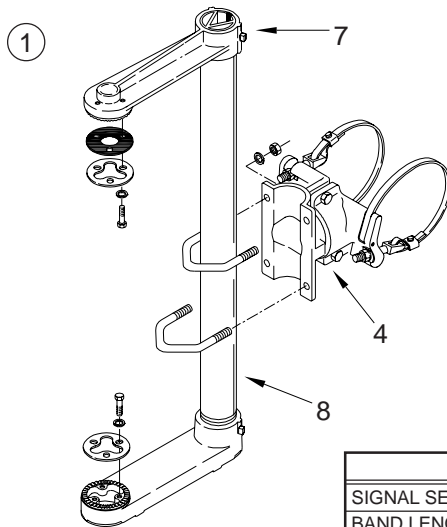
①	1-Way Band Mount	AS-0116
②	1-Way Cable Mount	AS-0125
③	1-Way Tenon Mount	AB-0137

ASTRO-BRAC CLAMP KIT:

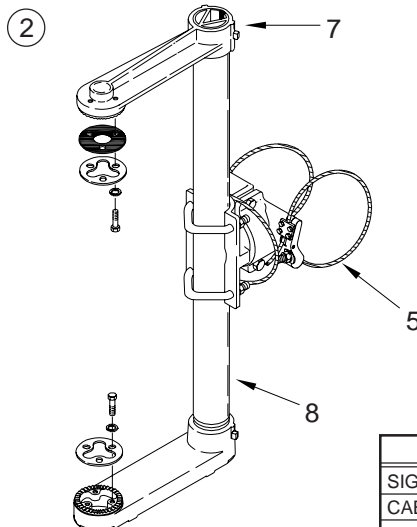
4	Band Mount, Stellar Series	AS-3004
5	Cable Mount, Stellar Series	AS-3009
6	Tenon Mount	AB-3010
7	ARM KIT, 8½" CTC	AB-4000
8	GUSSETED TUBE, w/ Vinyl Insert, 1½" Alum TOE	AB-2003

Notes:

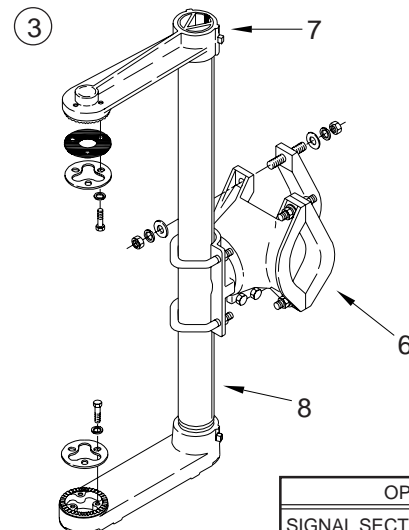
1. All assemblies are supplied standard with stainless fasteners and natural aluminum alodine coating. Stainless upgrade to include stainless steel clamp screw where applicable.
2. See pages T1-8 thru T1-14 for clamp kit pole diameter options.
3. Please specify options when ordering.



OPTIONS
SIGNAL SECTION: 1, 2, 3, 4, or 5
BAND LENGTH: 29", 36", 42", 48", or 56"
STAINLESS UPGRADE
PAINT



OPTIONS
SIGNAL SECTION: 1, 2, 3, 4, or 5
CABLE LENGTH: 62", 84", or 96"
PAINT



OPTIONS
SIGNAL SECTION: 1, 2, 3, 4, or 5
PAINT