

The Leader in Electro-Optics Technology



LED GREEN Technology

a subsidiary company of LITEON

# LED Traffic Signal Module 9" Indications WM and EH Series

## The Leotek Advantage

Our pedestrian modules use state of the art technology to provide quality products with unmatched reliability.



WM Series



EH Series

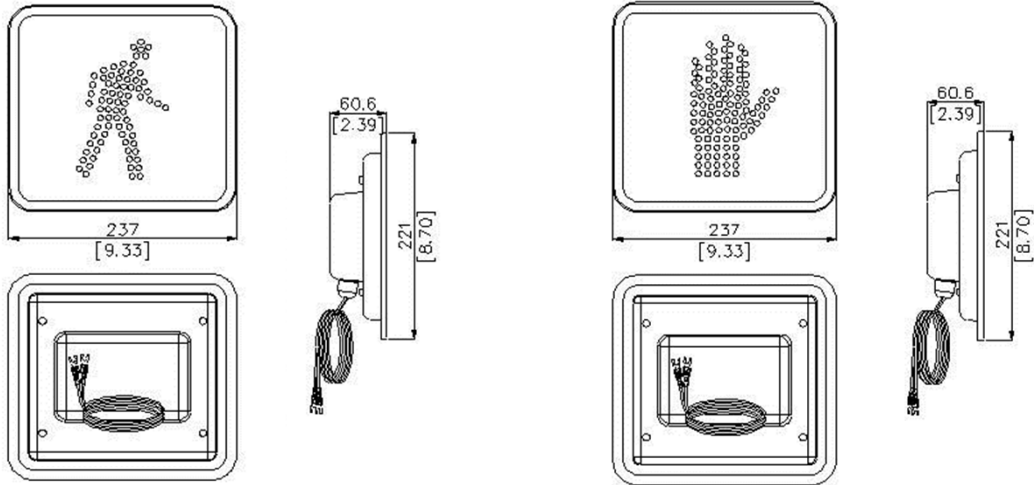
## Features and Benefits

- Environmentally friendly
- Significant energy and maintenance savings
- Exceptional color uniformity and readability
- Maintains 70% of the initial lumen intensity after 100,000 hours of operation
- Excellent moisture and dust resistance through complete O-ring sealing
- Multiple connections available for specific applications
- Robust hard-coated and UV-stabilized polycarbonate lens for increased longevity against the elements
- Built-in Constant Current Source (CCS) provides uniform light output from the first to the last modules
- 5-Year Limited Warranty

## Technical Data

LED Color/Type:	Portland Orange ● /AlInGaP, Lunar White ○ /InGaN		
Operating Temperature:	-40°F to 165°F (-40°C to 74°C)	Total Harmonic Distortion (THD):	<20%
Operating Voltage:	80 - 135Vac, 60 Hz	Turn-On/Turn-Off Time:	<75msec
Power Factor:	>0.90	Turn-Off Voltage:	>35Vac

## Mechanical Dimensions [mm(in)]



WM Series

EH Series

## Model Specifications and Ordering Options

Model Number	Description	Wattage Drawn
<b>9 inch Pedestrian</b>		
TP09B-WM	Full Symbol - Lunar White Man	6.5W
TP09B-EH	Full Symbol - Portland Orange Hand	6W

## Standard Conformance

- FCC Compliant for Electrical Noise
- MIL-STD-810F Moisture Resistant
- MIL-STD-8a83 Mechanical Vibration
- NEMA TS2 Transient Voltage Protection over 2000V



V9-042911

Information provided subject to change without notice.

Leotek Electronics USA Corp. | 726 South Hillview Drive | Milpitas, CA 95035 | 408.380.1788 | www.leotek.com