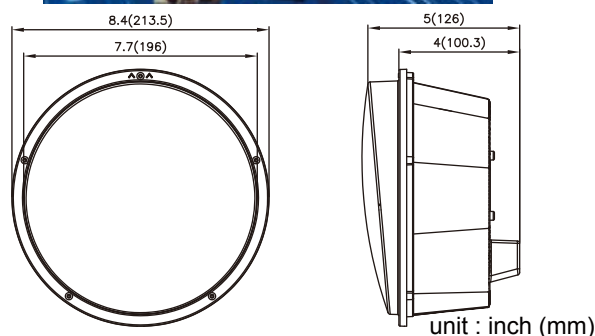
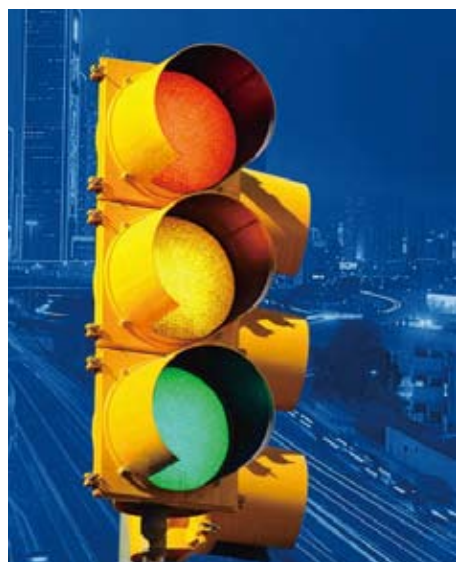




ITE Compliant LED Vehicle Traffic Signals



Features / Benefits

- Meets latest ITE 2005 standards
- High-Flux LED Technology with high efficiency
- Uniform non-pixelated illumination with "incandescent look"
- 90% reduction in power consumption vs. incandescent
- Long life; up to 10 times longer than incandescent
- Expanded view light distribution pattern suitable for span wire and fixed wire
- Easy to install with existing signal enclosure

Specifications

- Operation temperature range: -40°C to +74°C
- Operation voltage from 80 to 135 VAC RMS
- Power factor greater than 0.9
- Total Harmonics Distortion < 20%
- Turn on/ Turn off time < 75 msec
- Luminous Intensity and Color conforms with ITE VTCSH-LED
- Circular Signal Supplement
- Conform to MIL-STD-810F for blowing rain
- Conform to MIL-STD-883, Test Method 2007 for mechanical vibration
- Conform to MIL-STD-883, Test Method 1010, for temperature cycling requirements
- Meet FCC Title 47, Subpart B Section 15 Regulations for electrical noise
- UV stabilized scratch resistant shell
- Fuse and transient suppressor incorporated for line and load protection

8" Circular Incandescent Look LED Traffic Signals

Tinted Lens Series

Color	Model Number	Dimension	Operation Voltage (VAC)	Power Consumption (Watt) (Typ.)	Dominant Wavelength (nm) (Typ.)	Peak Minimum Maintained Luminous Intensity (cd) (Min.)
Red	TRV-R08SG-D1T	8" / 200 mm	80 ~ 135	6.6	625	> 165
Amber	TRV-Y08SG-D1T	8" / 200 mm	80 ~ 135	17	590	> 410
Green	TRV-G08SG-D1T	8" / 200 mm	80 ~ 135	9	500	> 215

Clear Lens Series

Color	Model Number	Dimension	Operation Voltage (VAC)	Power Consumption (Watt) (Typ.)	Dominant Wavelength (nm) (Typ.)	Peak Minimum Maintained Luminous Intensity (cd) (Min.)
Red	TRV-R08SG-D1T-C	8" / 200 mm	80 ~ 135	6.6	625	> 165
Amber	TRV-Y08SG-D1T-C	8" / 200 mm	80 ~ 135	17	590	> 410
Green	TRV-G08SG-D1T-C	8" / 200 mm	80 ~ 135	9	500	> 215

EOI EXCELLENCE OPTO. INC.
EOI Group

Address

1400 W. Lambert Road, Suite B, Brea, CA, 92821, U.S.A.
Tel : 562-694-1246 Fax: 562-691-3087
E-mail: Sales@eoius.com http://www.eoi-us.com

