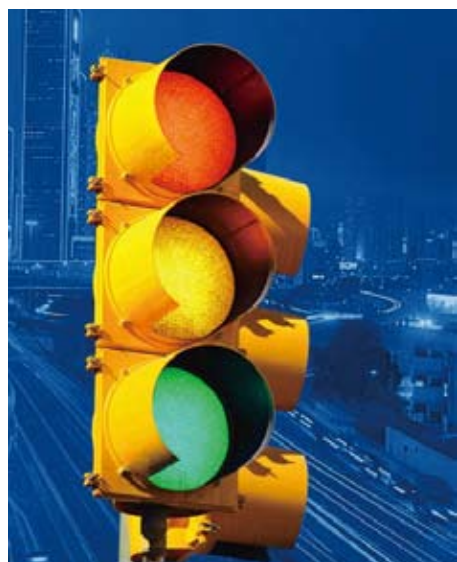




12 Inches Incandescent Look LED Traffic Signals

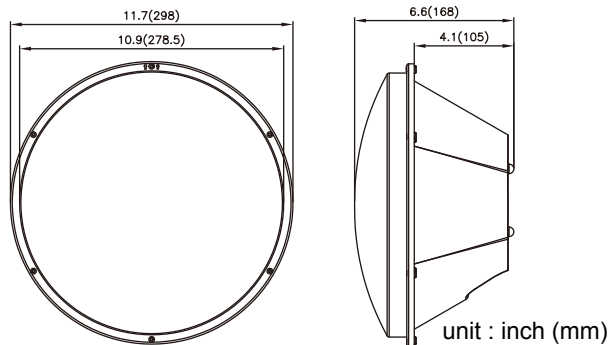


Features / Benefits

- Meets latest ITE 2005 standards
- High-Flux LED Technology with high efficiency
- Uniform non-pixelated illumination with "incandescent look"
- 90% reduction in power consumption vs. incandescent
- Long life; up to 10 times longer than incandescent
- Expanded view light distribution pattern suitable for span wire and fixed wire
- Easy to install with existing signal enclosure

Specifications

- Operation temperature range: -40°C to +74°C
- Operation voltage from 80 to 135 VAC RMS
- Power factor greater than 0.9
- Total Harmonics Distortion < 20%
- Turn on/ Turn off time < 75 msec
- Luminous Intensity and Color conforms with ITE VTCSH-LED
- Circular Signal Supplement
- Conform to MIL-STD-810F for blowing rain
- Conform to MIL-STD-883, Test Method 2007 for mechanical vibration
- Conform to MIL-STD-883, Test Method 1010, for temperature cycling requirements
- Meet FCC Title 47, Subpart B Section 15 Regulations for electrical noise
- UV stabilized scratch resistant shell
- Fuse and transient suppressor incorporated for line and load protection



Tinted Lens Series

Color	Model Number	Dimension	Power Consumption Typical(Watt)	Dominant Wavelength Typical(nm)	Peak Minimum Maintained Luminous Intensity (cd)	Meet ITE 2005 Spec.
Red	TRV-R12SG-D2T	12" / 300 mm	7.7	623	365	✓
Amber	TRV-Y12SG-D1T	12" / 300 mm	17.5	590	910	✓
Green	TRV-G12SG-D2T	12" / 300 mm	12	500	475	✓

Clear Lens Series

Color	Model Number	Dimension	Power Consumption Typical(Watt)	Dominant Wavelength Typical(nm)	Peak Minimum Maintained Luminous Intensity (cd)	Meet ITE 2005 Spec.
Red	TRV-R12SG-D2T-C	12" / 300 mm	7.7	623	365	✓
Amber	TRV-Y12SG-D1T-C	12" / 300 mm	17.5	590	910	✓
Green	TRV-G12SG-D2T-C	12" / 300 mm	12	500	475	✓



Address

1400 W. Lambert Road, Suite B, Brea, CA, 92821, U.S.A.
 Tel : 562-694-1246 Fax: 562-691-3087
 E-mail: Sales@eoius.com http://www.eoi-us.com

