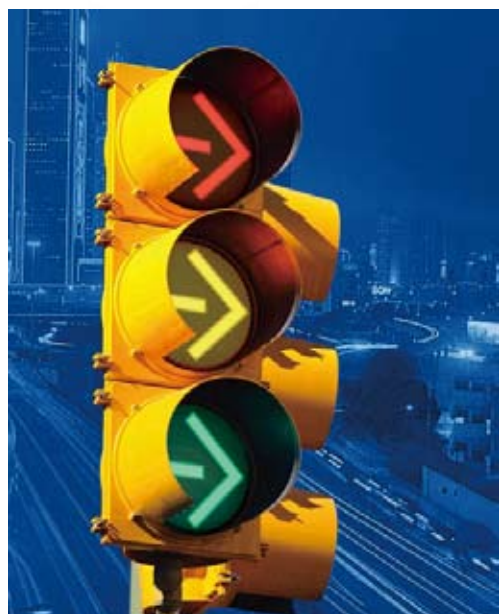




12 Inches Incandescent Look LED Arrow Signals

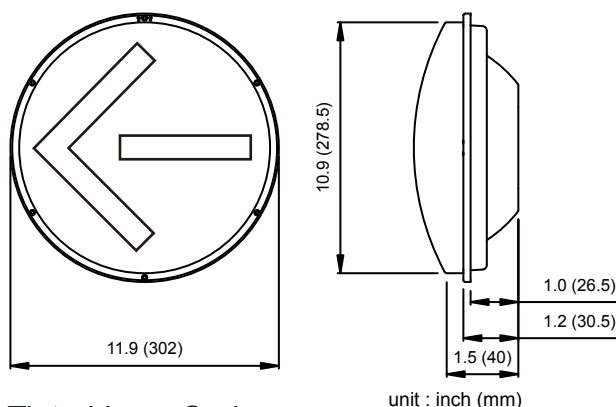


Features / Benefits

- Meets latest ITE 2007 standards
- Uniform non-pixelated illumination with "incandescent look"
- 90% reduction in power consumption vs. incandescent
- Long life; up to 10 times longer than incandescent
- Expanded view light distribution pattern suitable for span wire and fixed wire
- Easy to install with existing signal enclosure

Specifications

- Operation temperature range: -40°C to +74°C
- Operation voltage from 80 to 135 VAC RMS
- Power factor greater than 0.9
- Total Harmonics Distortion < 20%
- Turn on/ Turn off time < 75 msec
- Luminous Intensity and Color conforms with ITE VTCSH-LED
- Circular Signal Supplement
- Conform to MIL-STD-810F for blowing rain
- Conform to MIL-STD-883, Test Method 2007 for mechanical vibration
- Conform to MIL-STD-883, Test Method 1010, for temperature cycling requirements
- Meet FCC Title 47, Subpart B Section 15 Regulations for electrical noise
- UV stabilized scratch resistant shell
- Fuse and transient suppressor incorporated for line and load protection



Tinted Lens Series

Color	Model Number	Dimension	Power Consumption Typical(Watt)	Dominant Wavelength Typical(nm)	Peak Minimum Maintained Luminous Intensity (cd)	Meet ITE/Caltrans Spec.
Red	TRA-R12DG-IN	12" / 300 mm	6.6	623	58	✓
Amber	TRA-Y12DG-IN	12" / 300 mm	9	590	146	✓
Green	TRA-G12DG-IN	12" / 300 mm	7.2	500	76	✓

Clear Lens Series

Color	Model Number	Dimension	Power Consumption Typical(Watt)	Dominant Wavelength Typical(nm)	Peak Minimum Maintained Luminous Intensity (cd)	Meet ITE/Caltrans Spec.
Red	TRA-R12DG-IN-C	12" / 300 mm	6.6	623	58	✓
Amber	TRA-Y12DG-IN-C	12" / 300 mm	9	590	146	✓
Green	TRA-G12DG-IN-C	12" / 300 mm	7.2	500	76	✓

EOI EXCELLENCE OPTO. INC.
EOI Group

Address

1400 W. Lambert Road, Suite B, Brea, CA, 92821, U.S.A.
Tel : 562-694-1246 Fax: 562-691-3087
E-mail: Sales@eoius.com http://www.eoi-us.com

