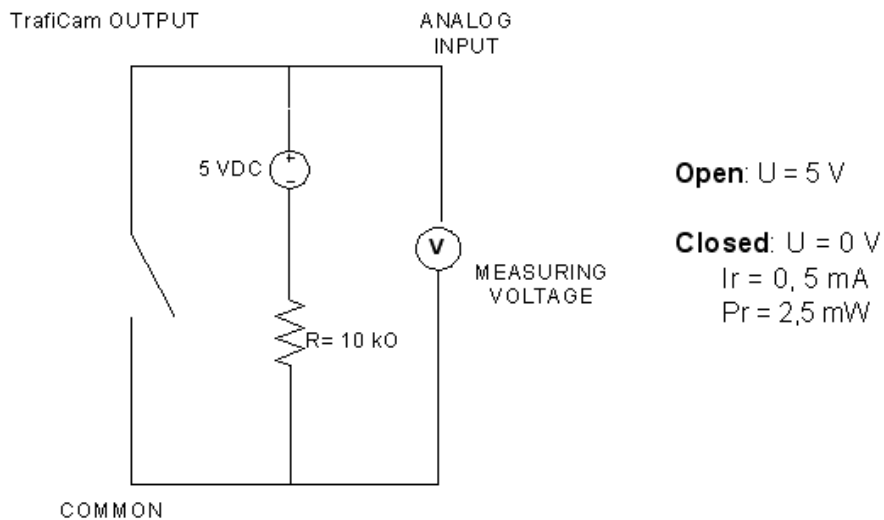




TECHNICAL SPECIFICATIONS 4TI EDGE

Name Interface	4 TrafiCam Interface EDGE
Abbreviation (short name)	4TI EDGE
Product Reference Number	10-6023
Basic Functionality	- Connecting zone outputs from TrafiCams to controller - Connecting portable PC to TrafiCams for system configuration & viewing
# Cameras to Connect	1, 2, 3 or 4 TrafiCams via EDGE pins U&V
Power IN	12-24VDC $\pm 10\%$ via EDGE pins A&B, power LED (red, front)
Power IN for TrafiCams	Via external power supply 12-24VDC $\pm 10\%$
Port PC – Interface	USB/B connector (front)
# Detection Outputs	- 4 optical coupled dry contacts via EDGE pins FWSY (1-4) & HXTZ (common) - $P_{max} = 300mW$, $I_{max} = 50mA$, $U_{max} = 48VDC$ - close on event or open on event (setting in TrafiCam PC Tool) - detection output 1-4 and common detection output * <i>Note: max. 12 extra detection outputs via RJ11 to max. 3 4/Os xp. expansion boards**</i>
# Detection LEDs	4 detection LEDs (green, front)
# Error Outputs	- 1 optical isolated switch component via EDGE pins P&R - $P_{max} = 300mW$, $I_{max} = 50mA$, $U_{max} = 48VDC$ - open on event (hardware output) - error output and common error output *
# Error LEDs	1 FAIL LED (red, front)
Function of Error Contact	Error contact closed = power failure interface or error in communications of connected TrafiCam(s) or non-existing output configured on TrafiCam
Function of Error LED	Error LED blinking = error in communications of connected TrafiCam(s) or non-existing output configured on TrafiCam
Reset button	Yes (front), to restart board
Interface Firmware	Yes
Communications TrafiCam – Interface	RS485, Traficon protocol
Cable TrafiCam – Interface	2 wires for RS485A and RS485B communication <i>Note: 2 extra wires required from external power supply to TrafiCam</i>
Current Consumption	$\leq 50 \text{ mA @ } 24VDC$
Power Consumption	$\leq 1,2 \text{ W}$
Mass	$\approx 300 \text{ g}$
Physical Dimensions	Single slot, standard US-board size (1,17" W x 4,5" H x 7.00" D, excl. handle)
Interface Mounting	Fits in TS1/TS2 NEMA rack
Regulatory Issues	- EMC: Electromagnetic Compatibility - 2004/108/EG - FCC: FCC Part 15 class A - Shock & Vibration NEMA II specs

* Example of output connection in traffic light controller via 4TI EDGE and 4/Os xp.



TrafiCam output wiring diagram

** System Architecture TrafiCam system with 4TI EDGE and 4/Os xp.

Max. 4 TrafiCams

