



# LED Traffic Signal Module Incandescent Look

## IL6 Arrow



## The Leotek Advantage

The IL6 series utilizes advanced Hi-Flux LEDs for increased light distribution efficiency; which reduces the quantity of individual LEDs required and lowers power consumption for additional savings. Developed with a patented innovative optical technology, the Leotek IL line of products ensures superior performance and reliability.

## Features and Benefits

Environmentally friendly  
Significant energy efficiency

Wider viewing angle

Enhanced uniformity

Excellent moisture and dust resistance

Utilizes constant current source to

maintain consistent light output

Engineered for superior thermal management

Intertek ETL Verified

Meets and/or exceeds all ITE standards ITE VTCSH LED  
Arrow Signal Supplement dated July 1, 2007

Maintains 70% of the initial lumen intensity after  
100,000 hours of operation

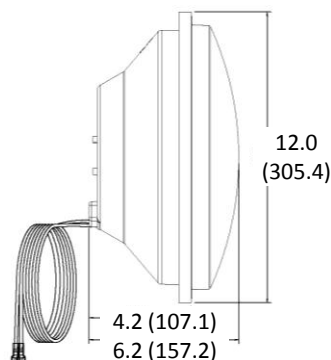
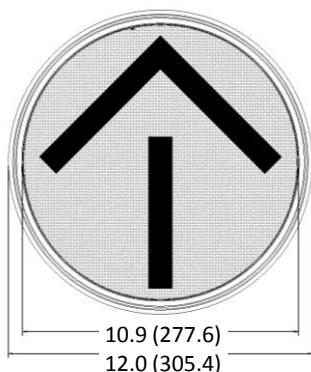
5-Year Limited Warranty

## Technical Data

Operating Temperature: : -40°F to 165°F (-40°C to 74°C)	Turn-On/Turn-Off Time: : <75msec
Operating Voltage: : 80 - 135Vac	Turn-Off Voltage: : >35Vac
Power Factor: : >0.90	Total Harmonic Distortion (THD): : <20%




## IL6 Mechanical Dimensions [in(mm)]

12 inch



# Model Specifications and Ordering Options

TSL-(SIZE)(COLOR)-(IL TYPE)-(VOLTAGE)

Model Number and Color	Wattage Drawn	Voltage	Dominant Wavelength	Maintained Intensity (cd) Min.	Standard
<b>12 inch arrow</b>					
TSL-12RA-IL6-A1 	7	80-135Vac	626	58.4	ITE 2007/ETL
TSL-12YA-IL6-A1 	12.5	80-135Vac	589	145.6	ITE 2007/ETL
TSL-12GA-IL6-A1 	7	80-135Vac	500	76.0	ITE 2007/ETL

**Options:** Tinted lens standard, clear lens optional. When ordering clear lens, please add “-CLR” to model number. Both tinted and clear lens are Intertek ETL Verified.

## Standard Conformance

- FCC Compliant for Electrical Noise
- MIL-STD-810F Moisture Resistant
- MIL-STD-883 Mechanical Vibration
- NEMA TS2 Transient Voltage Protection over 2000V

Meets and/or exceeds all ITE standards ITE VTCSH LED Arrow Signal Supplement dated July 1, 2007

### ITE VTCSH Compliance - LED Circular Signal Supplement – July 1, 2007

- |                        |             |                       |               |
|------------------------|-------------|-----------------------|---------------|
| · Conditioning         | ITE 6.4.2   | · Luminous Intensity  | ITE 6.4.4.1-4 |
| · Mechanical Vibration | ITE 6.4.3.1 | · Chromaticity        | ITE 6.4.4.6   |
| · Temperature Cycling  | ITE 6.4.3.2 | · Current Consumption | ITE 6.4.6.1   |



V8-053012

Information provided subject to change without notice.