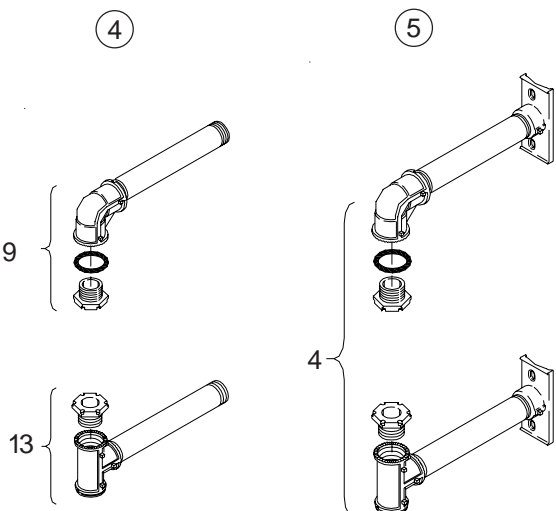
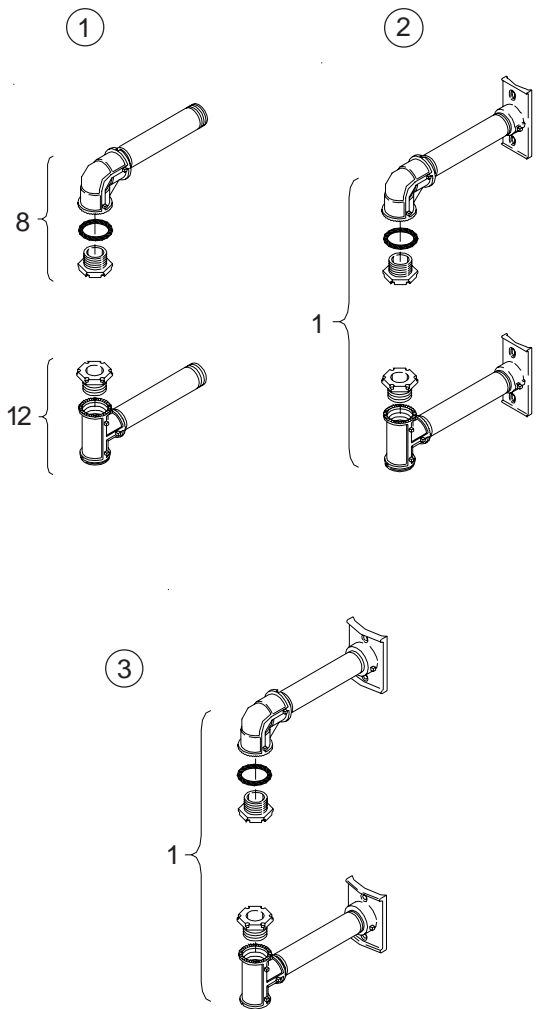


RIGID SIGNAL MTGS

Aluminum Side-of-Pole, 1 1/2"

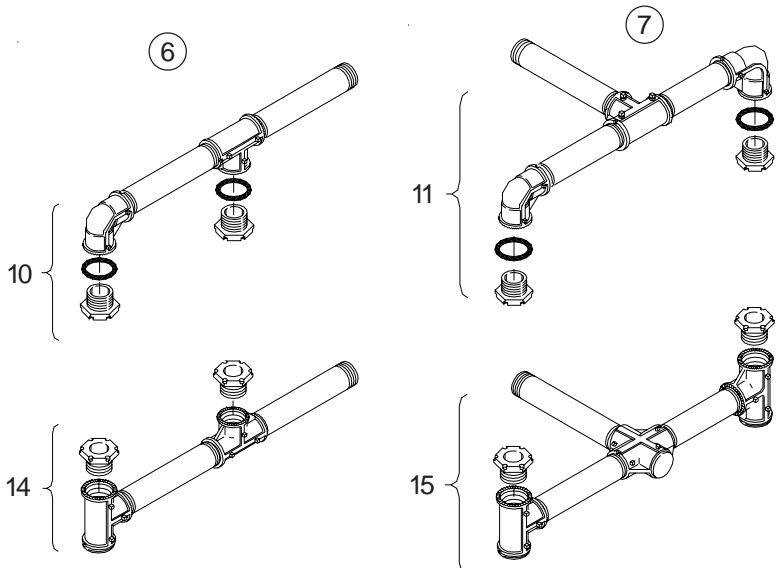


ITEM	DESCRIPTION	PART NO.
UPPER & LOWER ARMASSY:		
①	1-Way w/ 10" Nipples, Alum.	SE-3036
②	1-Way w/ 10" Nipples & Universal Hubs, Alum.	SE-3215
③	1-Way w/ 10" Nipples & Large Pole Hubs, Alum.	SE-3148
④	1-Way ICC Ped Hd w/ 12" Nipples, Alum.	SE-3146
⑤	1-Way ICC Ped Hd w/ 12" Nipples & Universal Hubs, Alum.	SE-3214
⑥	2-Way Tandem w/ 10" Nipples, Alum.	SE-3100
⑦	2-Way 16 1/2" CTC, Alum.	SE-3075
UPPER ARMASSY:		
8	1-Way w/ 10" Nipple, Alum.	SE-3000
9	1-Way w/ 12" Nipple, Alum.	SE-3144
10	2-Way Tandem w/ 10" Nipples, Alum.	SE-3098
11	2-Way W/ 10" Nipples, Alum.	SE-3014
LOWER ARMASSY:		
12	1-Way w/ 10" Nipple, Alum.	SE-3001
13	1-Way w/ 12" Nipple, Alum.	SE-3145
14	2-Way Tandem w/ 10" Nipples, Alum.	SE-3099
15	2-Way 16 1/2" CTC, Alum.	SE-3015

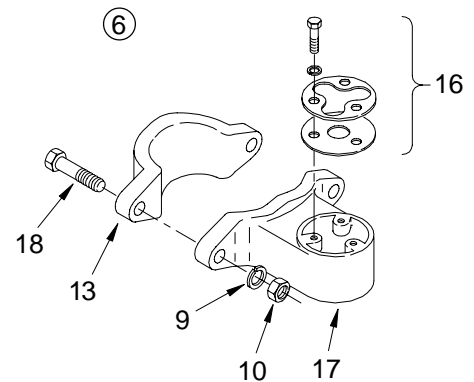
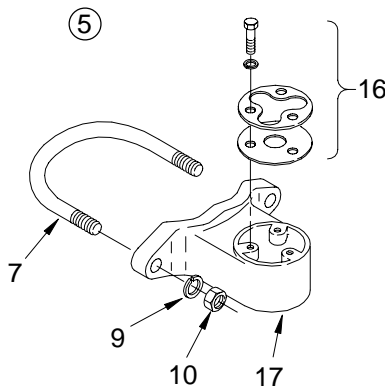
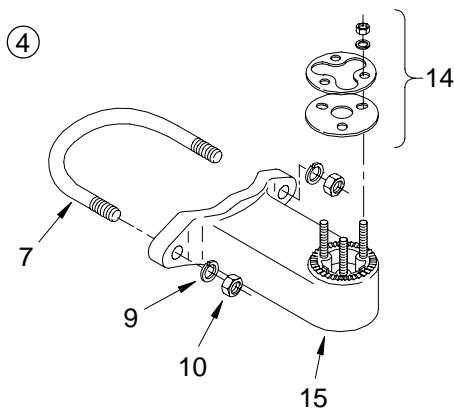
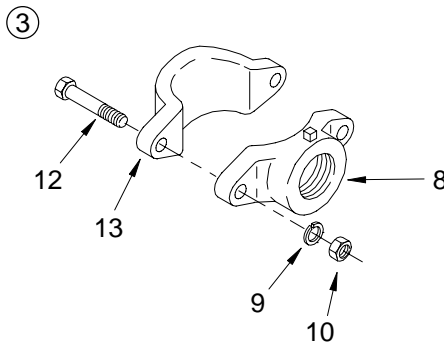
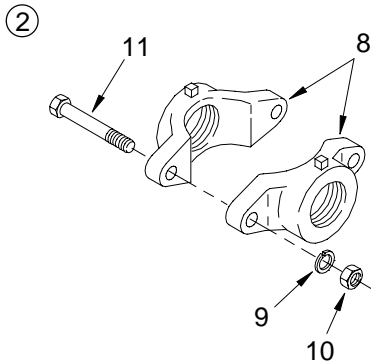
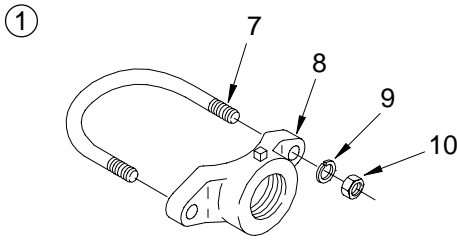
Notes:

1. All assemblies are supplied standard with stainless steel fasteners.
2. See section T11 for additional hub choices.
3. Please specify options when ordering.

OPTIONS
PAINT



ALUMINUM SIDE-OF-POLE SIGNAL MOUNTING, 1½"



ITEM	DESCRIPTION	PART NO.
①	1-WAY HUB ASSEMBLY, 4½" O.D. Pole	SE-3093
②	2-WAY HUB ASSEMBLY, 4½" O.D. Pole	SE-3094
③	1-WAY HUB ASSEMBLY, 2-7/8" O.D. - 3½" O.D. Pole	SE-3216
④	1-WAY MOUNTING ASSY, TRI-STUD, For 8" or 12" Signal	SE-0567
⑤	1-WAY MOUNTING ASSY., 4½" O.D. Pole, For 8" Signal	SE-5053
⑥	1-WAY MOUNTING ASSY., 3½" O.D. Pole, For 8" Signal	SE-5054
7	U-BOLT, 3/8"-16 x 4-15/16" x 4-5/8" x 1-3/8"	FS-2501
8	HUB, 4½" O.D. Pole	SE-0384
9	LOCKWASHER, Split, 3/8"	FS-4205
10	NUT, Hex., 3/8"-16	FS-1003
11	BOLT, Hex. Hd., 3/8"-16 x 5"	FS-2077
12	BOLT, Hex. Hd., 3/8"-16 x 3"	FS-2030
13	ADAPTER, 3½" O.D. Pole	SE-4078
14	TRI-STUD HARDWARE KIT, W/ Gasket, 5/16"-18	SE-5048-SS
15	MOUNTING BRACKET, TRI-STUD, For 8" or 12" Signal	SE-0567-NH
16	TRI-BOLT HARDWARE KIT, ¼"-20	SE-0398
17	MOUNTING BRACKET, For 8" Signal	SE-0109
18	BOLT, HEX HD., 3/8"-16 x 2¼"	FS-2010

NOTES: SEE SECTION 3 BULLETIN 119 FOR MISCELLANEOUS HUBS AND BULLETIN 166 FOR HARDWARE KITS