

# Power

## Transfer and Bypass Switches

ATS, MBP, GTS and ABP



ATS/ABS



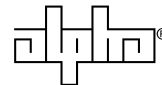
MBP



GTS

- Available in four dependable power transfer options
- Cost-effective transfer and bypass solutions
- Ensures continuous power to equipment
- Eliminates operation downtime due to maintenance
- Offers easily mountable wall, shelf or rack configurations

Alpha Technologies' Automatic Transfer Switch (ATS), Automatic Bypass Switch (ABS), Manual Bypass Switch (MBS) and Generator Transfer Switch (GTS) are ideal for the Novus UPS series, particularly for outdoor traffic applications. The Automatic Transfer Switch transfers the critical load to the UPS when the utility line fails or is out of tolerance range. The Automatic Bypass Switch acts as a fail-safe device by switching the critical load to the utility line if there is a fault on the UPS. The Manual Bypass Switch allows for a mechanical bypass of the UPS without affecting the power to the critical load. The Generator transfer Switch automatically transfers the input to the UPS from the utility line to a portable AC generator.



## Transfer and Bypass Switches

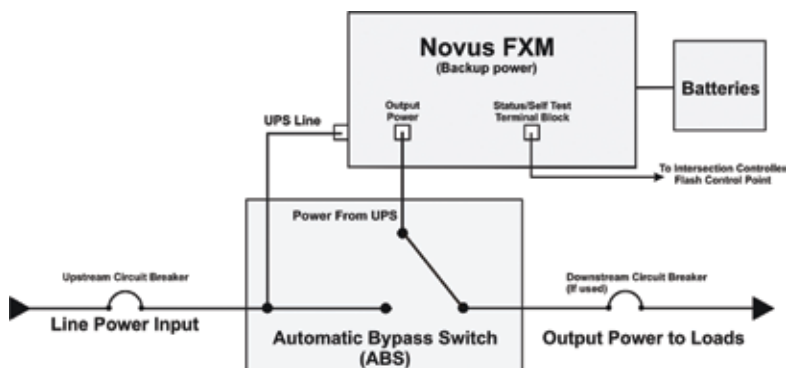
### Nominal Specifications

Model:	Automatic Transfer Switch	Generator Transfer Switch	Maintenance Bypass Switch	Automatic Bypass Switch
<b>Input/Output</b>				
Typical Voltage:	120VAC	120VAC	120VAC	120VAC
Voltage Range:	92 to 135VAC (120 nom)	93 to 135VAC (120 nom)	94 to 135VAC (120 nom)	95 to 135VAC (120 nom)
Input Frequency:	50Hz or 60Hz ±5%	50Hz or 60Hz ±5%	50Hz or 60Hz ±5%	50Hz or 60Hz ±5%
Current:	40A	20A	20A**	20A
<b>Performance</b>				
Transfer Switch Type:	Relay	Relay	Rotary Cam Type, Break Before Make, rated at 20A	Relay
Transfer Time:	<150ms	30sec delay	<150ms	<150ms
<b>Environmental</b>				
Operating Temperature:	-37 to 74°C	-37 to 74°C	-37 to 74°C	-37 to 74°C
Storage Temperature:	-40 to 74°C	-40 to 74°C	-40 to 74°C	-40 to 74°C
Humidity (non-condensing):	<95%	<95%	<95%	<95%
Altitude*	10000ft/3000m	10000ft/3000m	10000ft/3000m	10000ft/3000m
<b>Mechanical</b>				
Width (in/mm):	4.75/120.6	4.75/120.6	4.75/120.6	4.75/120.6
Depth (in/mm):	6.5/165	6.5/165	6.5/165	6.5/165
Height (in/mm):	4.6/117	4.6/117	4.6/117	4.6/117
Weight (lb/kg):	7/3.2	7/3.2	4/1.8	7/3.2
Mounting:	Wall mount, 4 points/shelf mount	Wall mount, 4 points/shelf mount	Wall mount, 4 points/shelf mount	Wall mount, 4 points/shelf mount
<b>Connection</b>				
AC Input:	Terminal Block	Terminal Block	Terminal Block	Terminal Block
AC Output:	Terminal Block w/Aux 5-15R	Terminal Block	Terminal Block w/Aux 5-15R	Terminal Block w/Aux 5-15R
UPS Input/Output:	14/3, 2 meter line cord	n/a	Terminal Block	14/3, 2 meter line cord
<b>Compliance</b>				
Packaging:	Designed to meet ISTA program	Designed to meet ISTA program	Designed to meet ISTA program	Designed to meet ISTA program
Warranty:	24 months	24 months	24 months	24 months
Electrical Safety:	UL-1778, CSA 22.2 No. 107.1	UL-1778, CSA 22.2 No. 107.1	UL-1778, CSA 22.2 No. 107.1	UL-1778, CSA 22.2 No. 107.1

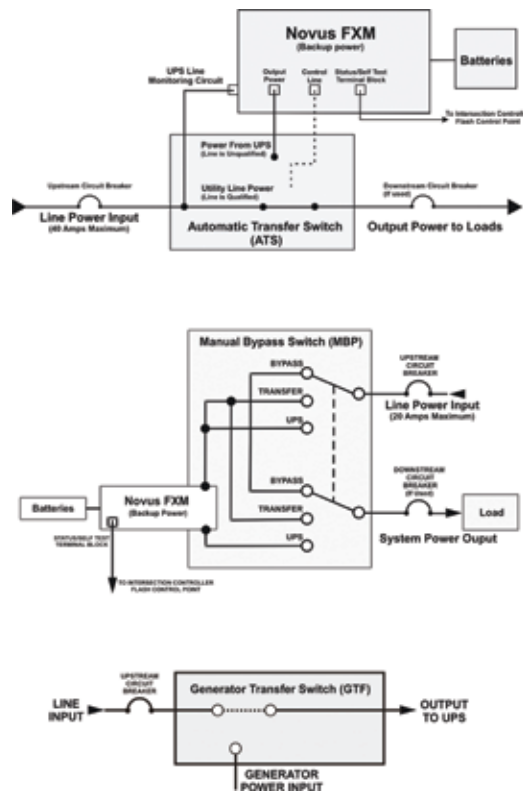
\* De-rate operating temperature above 1500m (4900ft) by 2°C per 300m (1000ft)

\*\* 40A rack mount MBP also available

Automatic Bypass Switch Electrical Diagram



Transfer Switch Electrical Diagram



For more information visit [www.alpha.com](http://www.alpha.com)

Alpha Technologies United States Bellingham, Washington Tel: 360 647 2360 Fax: 360 671 4936  
Canada Burnaby, British Columbia Tel: 604 430 1476 Fax: 604 430 8908

049-239-10-002 (4/06)

Alpha Technologies reserves the right to make changes to the products and information contained in this document without notice.

Copyright © 2006 Alpha Technologies. All Rights Reserved. Alpha® is a registered trademark of Alpha Technologies. member of The Alpha Group™ is a trademark of Alpha Technologies.